



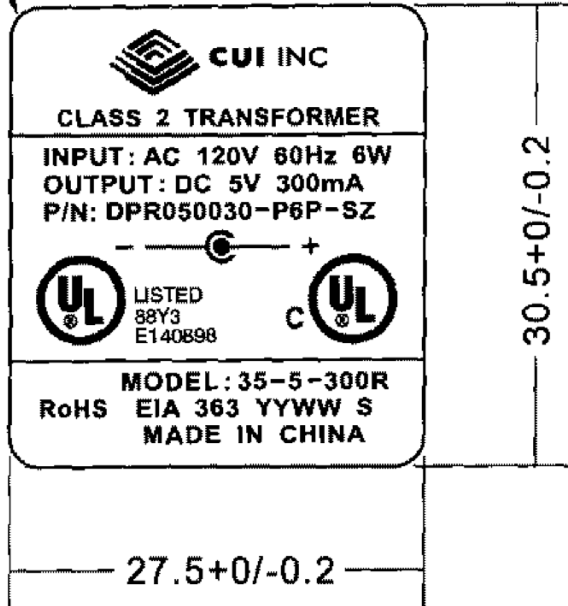
Specifications

Output voltage	5 V dc at 300 mA	
Rated input voltage	120 V ac	
Primary rated voltage	120 V ac 60 Hz 6 W	
Primary exciting current	50 mA rms max.	
Secondary rated voltage & current	no load voltage (max.)	5 V ±0.3
	full load volatge (300 mA)	5 V ±0.3
Temperature rise of primary winding (full load)	70°C max. using resistance method	
Insulation resistance	≥ 100 M Ohm at 500 V dc	
HI-POT test	from input to output for 1 min.	1240 V ac at 2 mA
	from input to output for 1 sec.	1600 V ac at 2 mA
	from primary to seconardy winding for 1 sec.	1600 V ac at 2 mA
	from primary winding to core for 1 sec.	1600 V ac at 2 mA
	from secondary winding to core for 1 sec.	750 V ac at 2 mA
Safety standard	UL/ cUL	
RoHS compliant	yes	
Test conditions	Ambient temp	40°C ±2°C
	Humidity	90-95% 96 hours at Full Load
	Rated voltage	8 hours at full load
Color	Case	black
	Cord	black
	Plug top	black



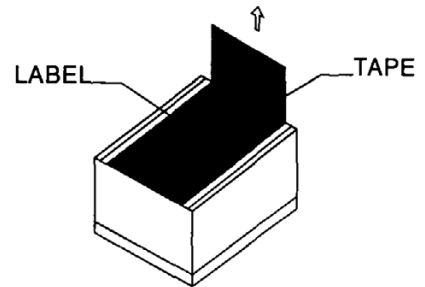
Label

R2*4



Adhesive tape: 3m #44 tape 18 width
 Thickness: 0.2mm
 Material: PVC polyester
 Color: black on silver base

Remarks: YYWW S
 YY=production year
 WW=production week
 S=production location



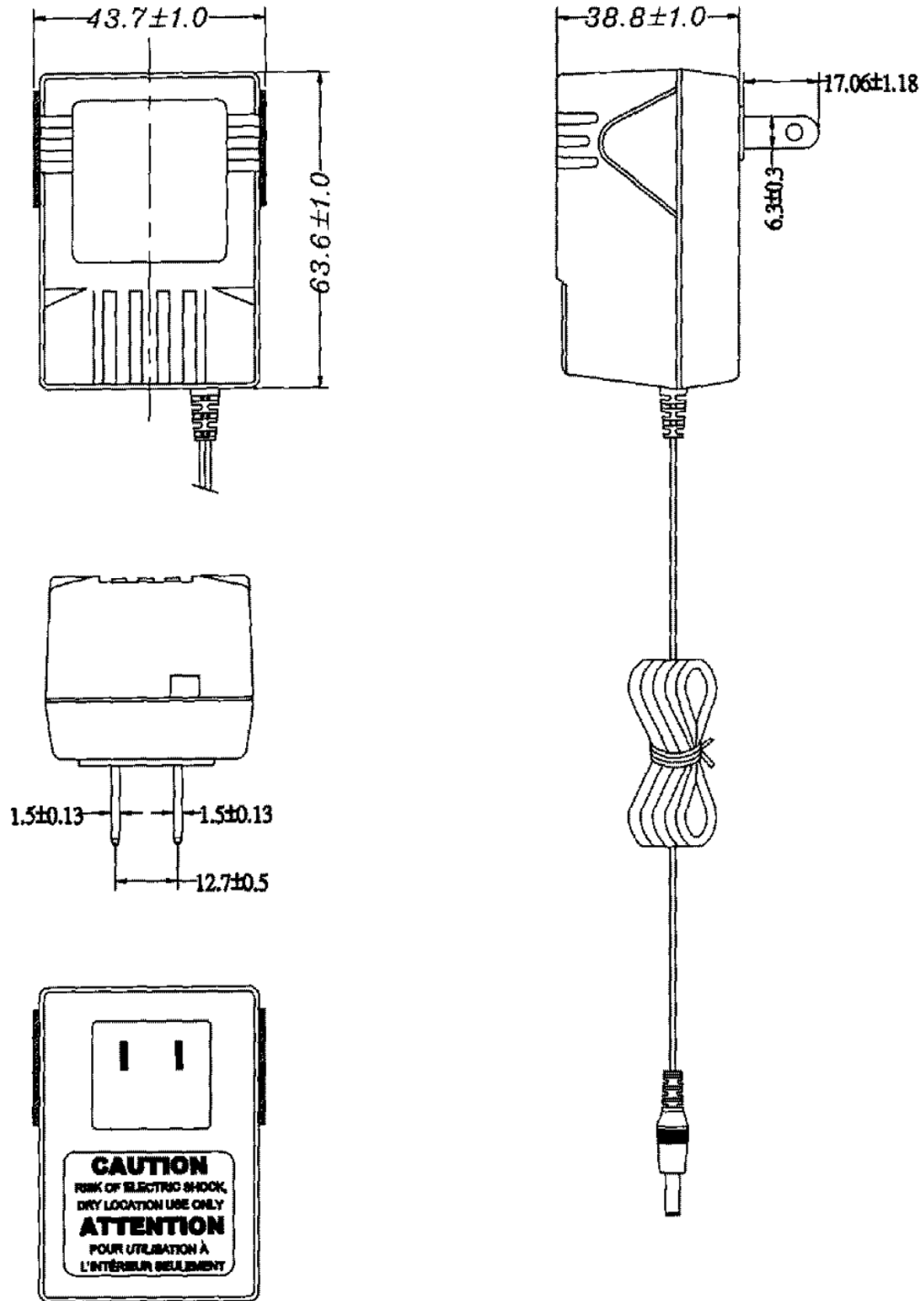


Mechanical Drawing

Tolerance: ± 1

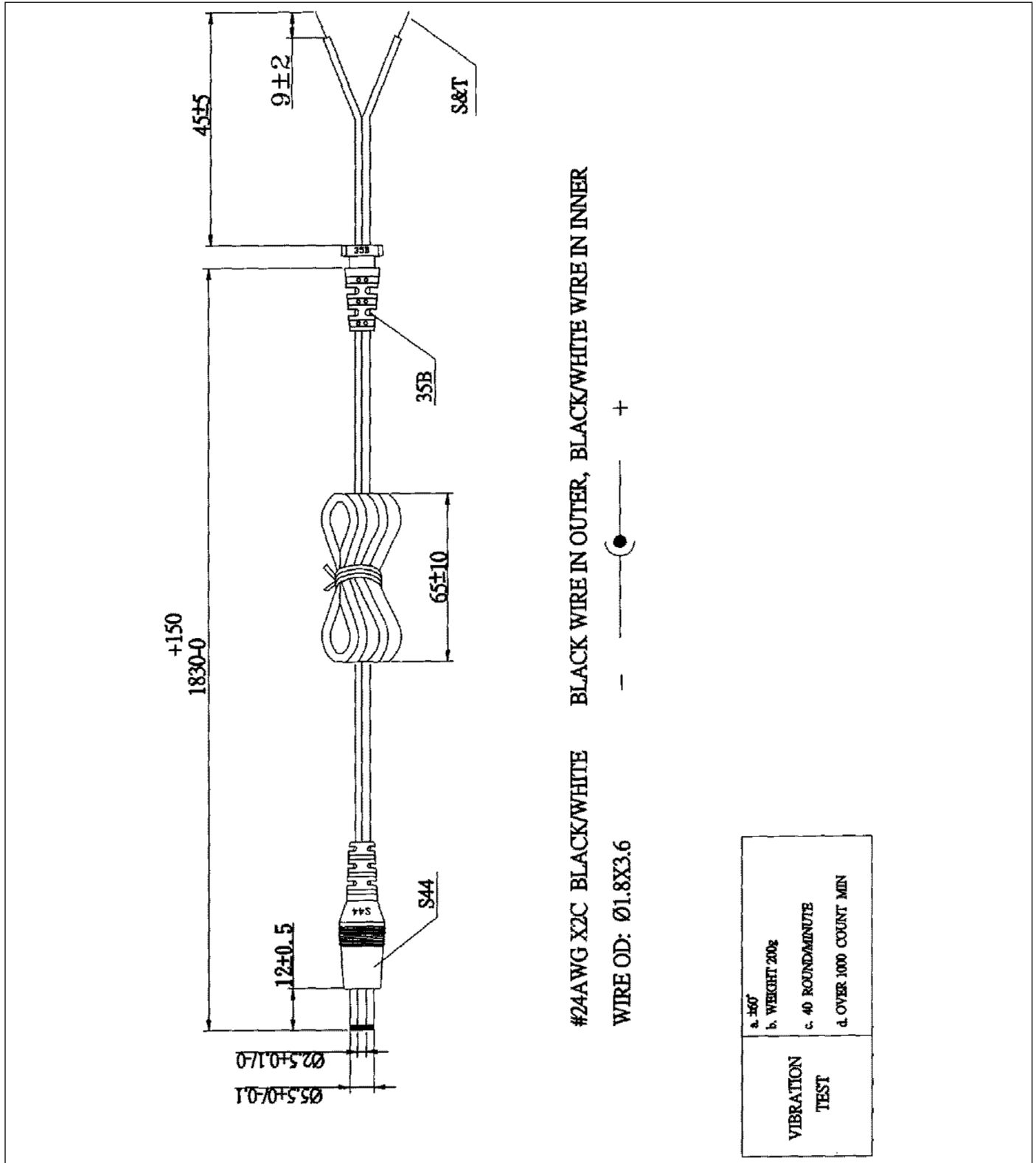
Weight

142 g



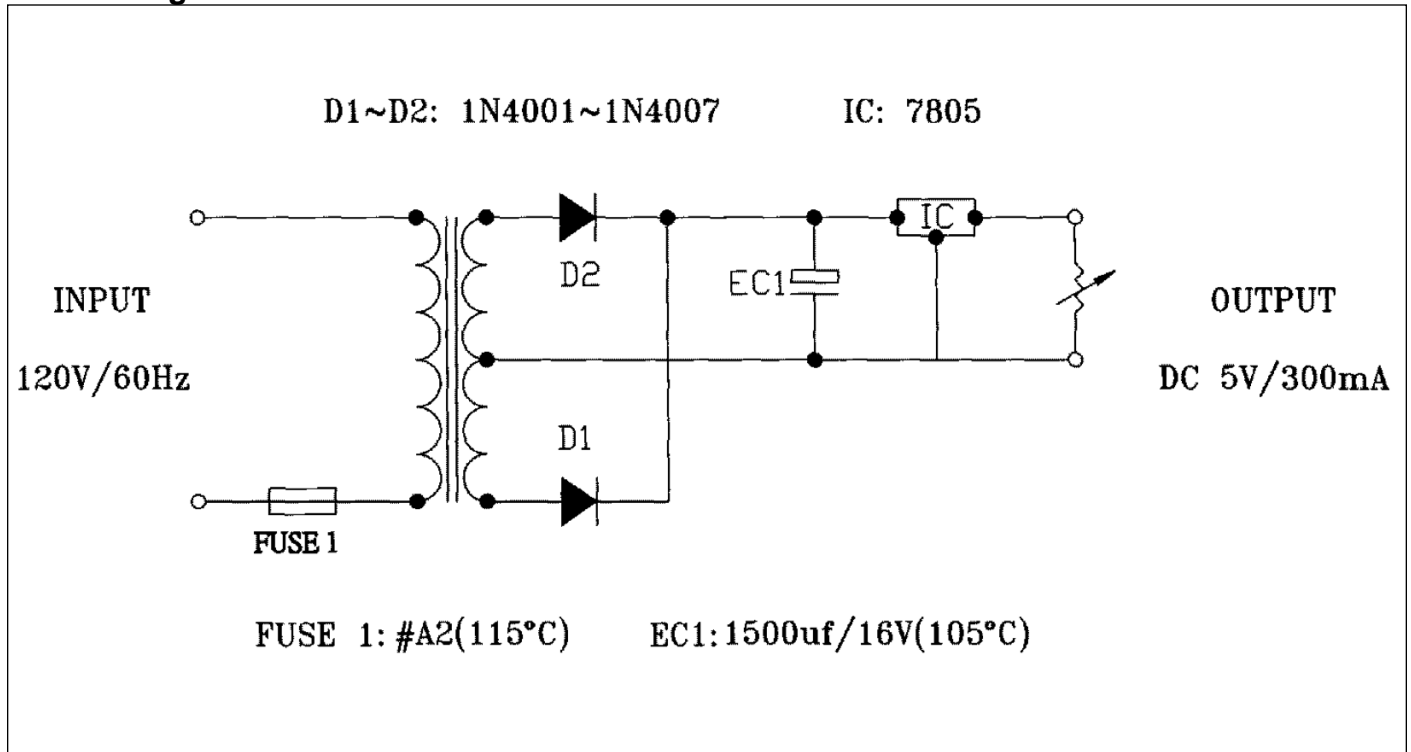


Cord

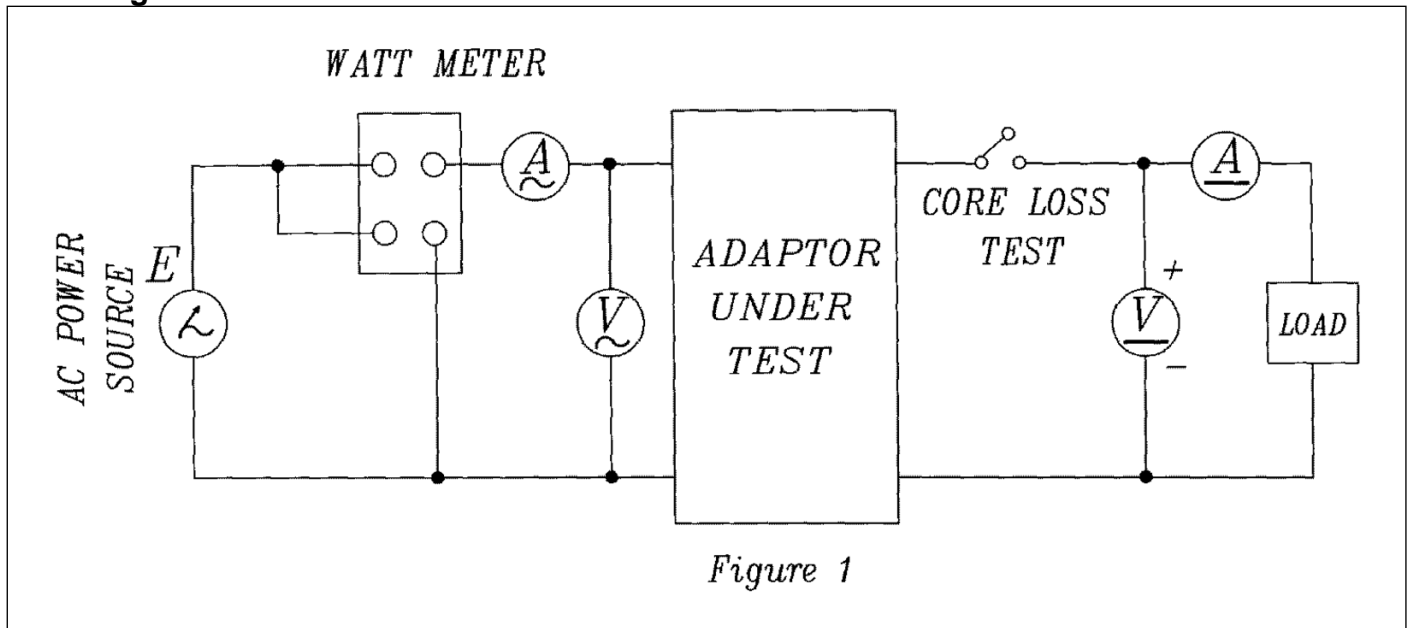




Circuit Diagrams



Test Diagram





CUI INC

Part No: DPR050030-P6P-SZ

Description: linear power supply

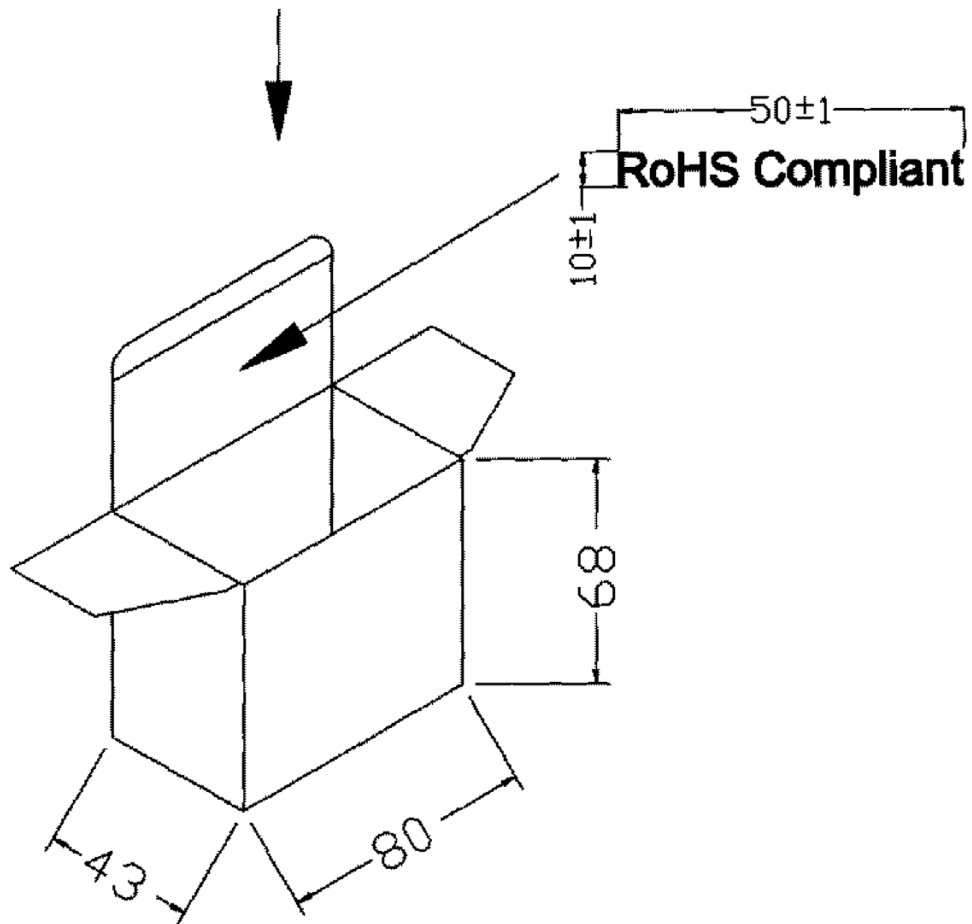
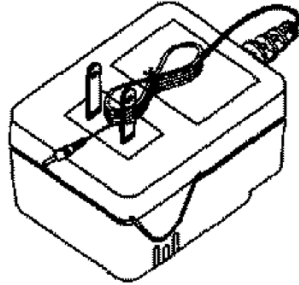
Date: 4/05/2006

Unit: mm

Page No: 6 of 7

Individual Packaging

Tolerance: ± 1





Packaging

Tolerance: +7/-0

OUTSIDE CARTON:A=B(6mm)
INSIDE CARTON:A-B(3mm)
OUTSIDE CARTON MATERIAL:A=B(6mm)
INSIDE CARTON MATERIAL:A-B(3mm)
CARTON SIZE: 430X300X219
Q'TY: 80pcs(20X4X1)

